

Two-Stage Mechanical Oscillator – The Pendulum-Lever Energy System

Model Building Guidelines

TABLE MODEL #1

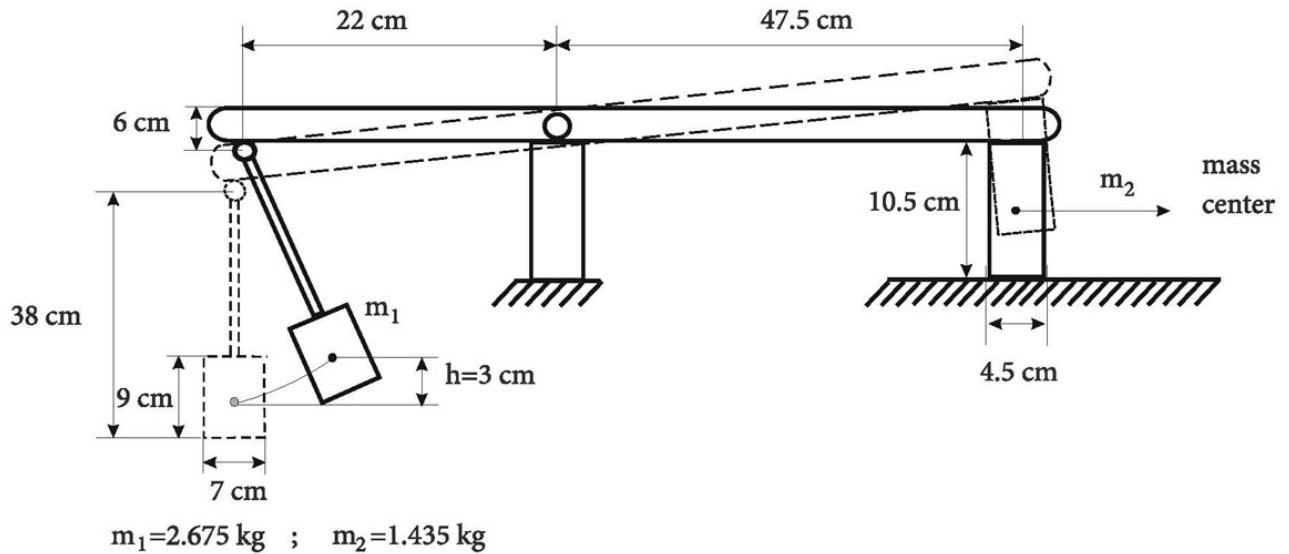


TABLE MODEL #2

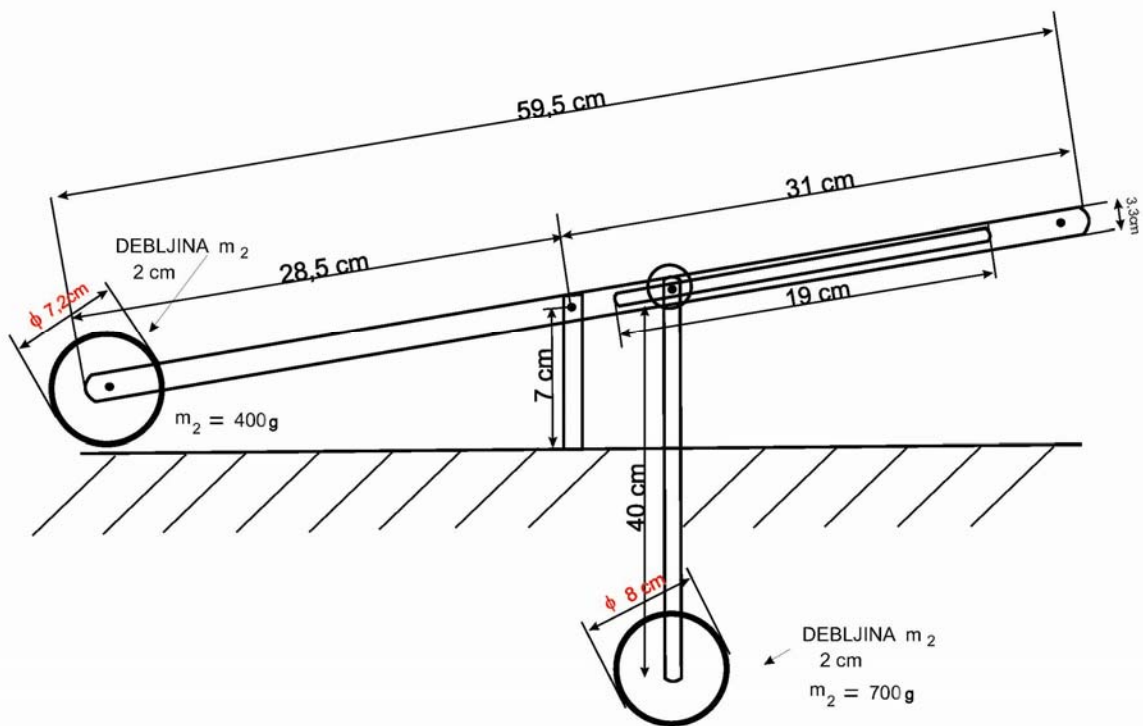
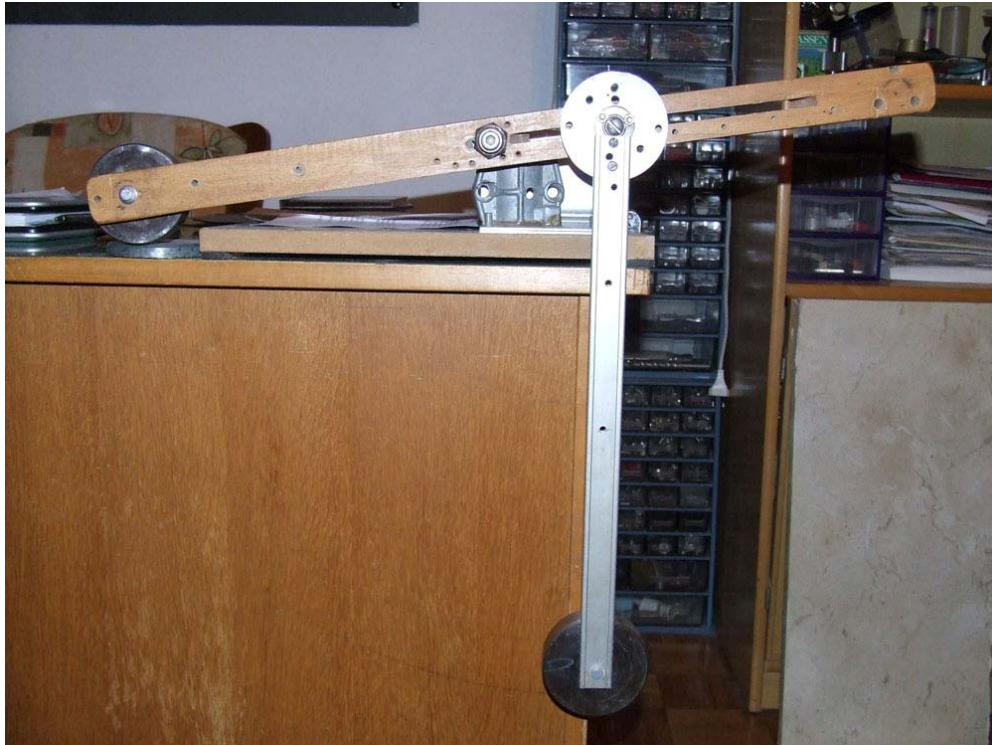


TABLE MODEL #3

Device for Testing Single-Stage and Two-Stage Oscillations

